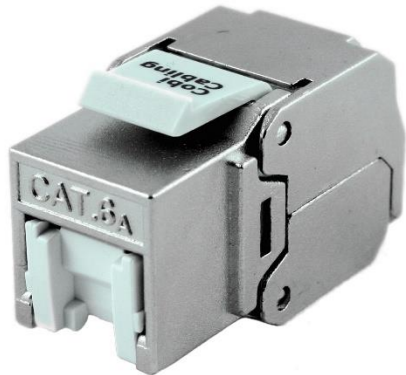


## CobiCabling CAT 6A Shielded Keystone Jack



### Features:

500MHz working frequency (CAT6A, Class EA)

25-years manufacturers warranty

Fully shielded design

Connections coding according to TIA 568A and 568B

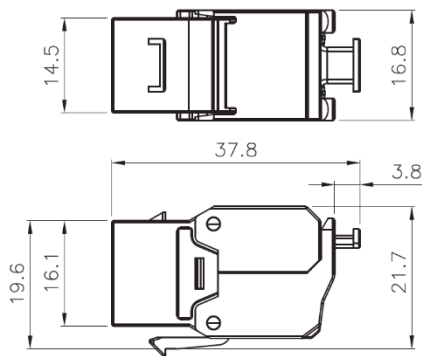
24-22 AWG, solid or stranded

Toolless termination

Dust cover

### PRODUCT DESCRIPTION

CobiCabling CAT6A Toolless Keystones are designed for quick and reliable installation in mind. With a small total diameter it permits several cable entry options as well as several housing options from patchpanels, faceplates and shutters to sub floor boxes. The automatically retractable dust covers keeps the connection pins clean even when not in use for an extended period of time.



### CONFORMS TO:

- EN 50173-1:2018-07
- EN 50173-1:2011
- ISO/IEC 11801 Edition 2.2
- ANSI/TIA-568-C.0
- ANSI/TIA-568-C.1
- ANSI/TIA-568-C.2
- IEC 60603-7

### TYPICAL APPLICATIONS:

- 10GBase-T 10 Gigabit Ethernet
- PoE, PoE+, 4PPoE and Power over HDBaseT (POH) applications up to 100 Watts

Technical spec	Details
Dimensions (±0,2mm)	Width: 16,8mm, Height: 21,7mm, Depth: 37,8mm
Type of connector	RJ45
Category	6A (Backward compatibility)
Types of shielding	STP (Screened)
Housing	Die cast Zinc-alloy
Conductor diameter	24-22 AWG
Part numbers	Name
C21-1001	CobiCabling CAT 6A Shielded Keystone Jack